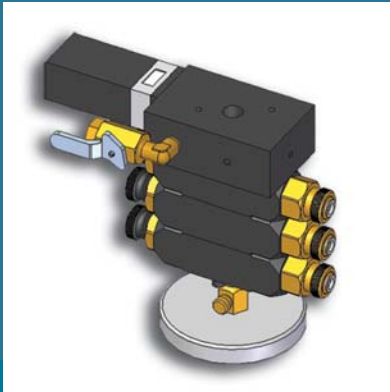


MeterMizer

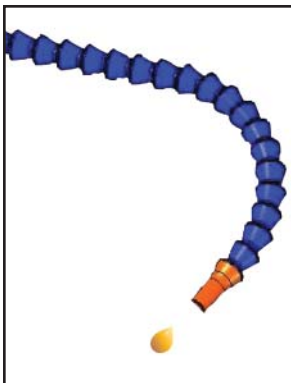
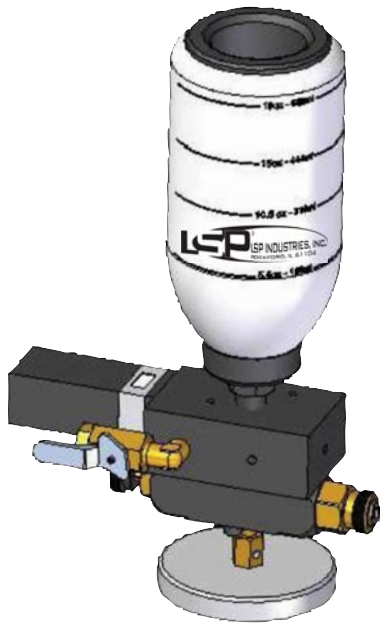
AN ELEGANT

SOLUTION TO MICRODOSING



LSP[®] INDUSTRIES, INC.
ROCKFORD, IL 61104

MeterMizer



- *Reduces lubricant cost.
- *Reduces cleanup cost in the work area.
- *Reduces cleanup cost of finished parts.
- *Cools, cleans and extends the life of all abrasive wheels.
- *Automatic, frees operator from lubrication interruptions.
- *Dispense lubricant in an airless metered drop upon command
- *Dispense lubricant into a stream of air with pulsating action.
- *Lubricant is dispensed on a programmable count of the machine cycles.
- *Lubricate bearings at multiple locations on a prearranged time cycle.
- *Operate using a solenoid valve controlled by an electrical switch or a PLC.
- *Lubricates, cools and removes chips from machining applications.
- *Lubricate parts during automatic assembly to eliminate marring of parts.

The MeterMizer can deliver a drop of lubricant without an air assist when required. Used in assembly applications or for chain lubrication.

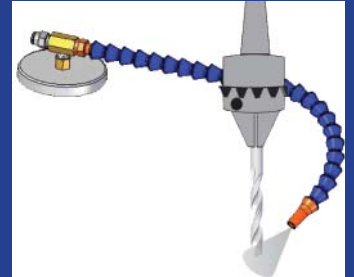
The amazing MeterMizer is a positive displacement lubricating spray system. It operates in unison with, or independent of, the cycle of the machine and dispenses lubricant to the piece in either one fast instantaneous burst or multiple bursts of lubricant, as needed. After lubricant is dispensed during the cycle, the shop air will continue to remove chips until the next lubricant dispersion or until shut off.

Applications

The MeterMizers unique design allows it to be used in many different applications. Precise and controlled dispensing of fluids in a new low pressure spray. Here are a few of the applications for the MeterMizer, use your imagination for others.

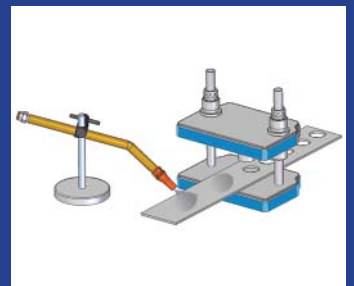
Drilling, Milling and Tapping Applications

Drilling Milling and Tapping Applications need not only lubrication, they not only lubrication, but they also require cooling and chip removal. The MeterMizer injects lubricant or coolant into the air stream either on a repetitive time cycle, programmed schedule or manual command. After the lubricant is dispensed the air remains on to cool the drill or tap and remove chips.



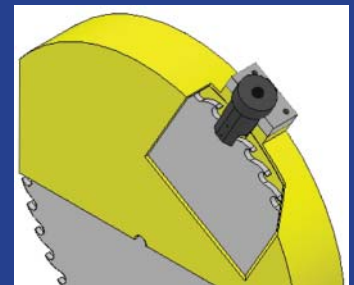
Stamping Applications

A little lubricant goes a long way in a stamping application. Best suited for smaller stamping applications, The MeterMizer is tied into the cycle of the press and dispenses small amounts of lubricant on each cycle of the press or is programmed to dispense the lubricant on a predetermined cycle count. The low pressure air contains the lubricant in a confined area while reducing lubricant consumption.



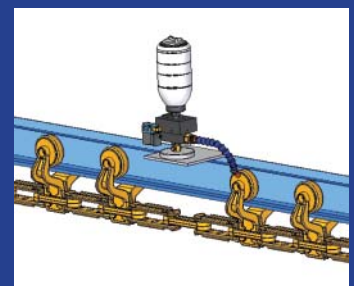
Saw Applications

Use the BasicMeterMizer on Horizontal, Vertical or Cold Saws as well as abrasive and diamond wheels to extend the life of the tool as well as improve the finish of the cut. Since the MeterMizer Saw Nozzle surrounds the saw blade, complete lubrication and cooling is achieved. It is the cleanest and most efficient method of lubricating saw blades.



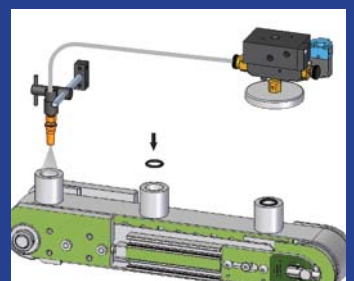
Overhead Conveyor Lubrication

Bearings on overhead conveyors have to be lubricated on a regular basis to eliminate jerking and grabbing. The MeterMizer is a cost effective way of ensuring precise lubrication without a mess. Set up with a LSP Controller and the Proximity Sensor picks up the location of the bearing and sends a signal to the MeterMizer to lubricate the bearings at just the right time. LSP offers other methods of actuating systems to satisfy specific needs.



Assembly Applications

The MeterMizer can apply lubricant to a part prior to the insertion of another part. By applying the lubricant in a confined and controlled manner the two parts are assembled without scratches, tears or gouges. Shown here is an O-Ring being inserted into a manifold after the O-ring hole is lubricated.



Here's How It Works!

The MeterMizer consists of miniature Lubricant Ejectors, Oscillating Timer, Reservoir, On/Off Valve, Manifold and remote Nozzles with Coaxial Tubing. Lubricant Ejectors, are stacked to the underside of the Manifold. The Reservoir is inserted into the top of the Manifold and shop air enters the On/Off Valve at the side of the Manifold. A Bleeder Valve under the bottom Ejector is opened and Lubricant enters the Manifold and moves on to the Ejectors where it fills

the Lubricant Chambers in each Ejector. The Bleeder Valve is closed. When the On/Off Valve opens shop air enters the Manifold and is split in two directions. Some of the air goes to the Oscillating Timer and the rest is directed out the nozzle. The air directed to the Oscillating Timer redirects the air to the Lubricant Ejectors in pulses. These pulses can be increased or decreased in frequency. Each pulse

Oscillator Timer

When a constant stream of air is sent to the Oscillating Timer it will pulse air to the Ejector on a scheduled time sequence until air is stopped. These pulses activate the Ejectors.

Manual ON/OFF Valve

When open it allows air to go to the Oscillator and initiate the repetitive time cycle. Excess air is directed out the Nozzle Tip to disperse lubricant being dispensed by the Ejector.

Volume Control

Sets the amount of lubricant dispensed on each actuation of the Ejector.

Ejector

(See Reference Fig 1)

Bleeder Valve

Finger controlled. Bleed at initial startup or if Reservoir runs dry.

Strong Magnetic Base

Installs on either the side or bottom of the MeterMizer. Allows MeterMizer to be attached to either a vertical or horizontal steel surface.

Air Shut Off & Volume Control

Turning of the knob adjust the volume of air being exhausted out of the Nozzle tip or shuts it off completely.

Reservoir Snap Cap

Large Cap makes it easy to fill. Vented to prevent vacuum lock.

Reservoir, (19 oz.)

Clear plastic to easily monitor lubricant level.

Filter (Not shown)

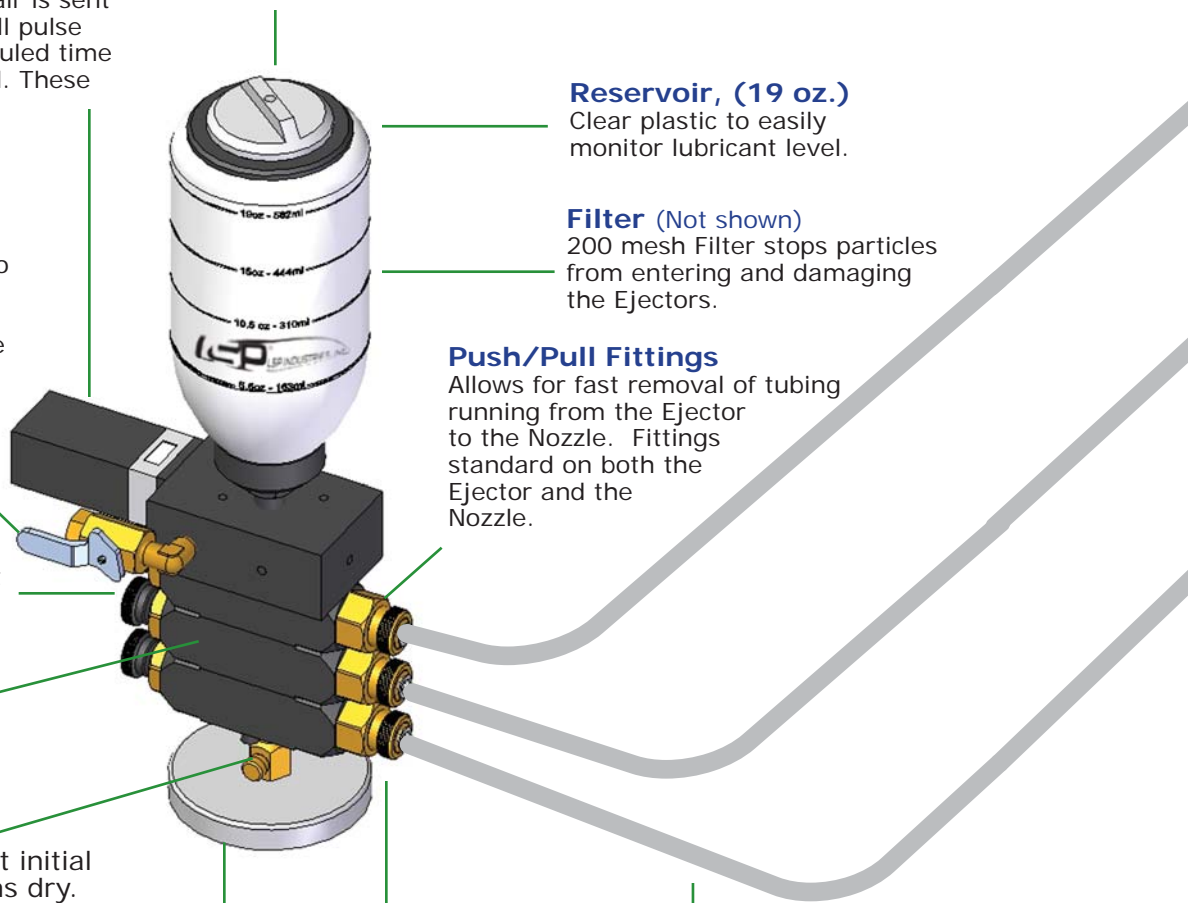
200 mesh Filter stops particles from entering and damaging the Ejectors.

Push/Pull Fittings

Allows for fast removal of tubing running from the Ejector to the Nozzle. Fittings standard on both the Ejector and the Nozzle.

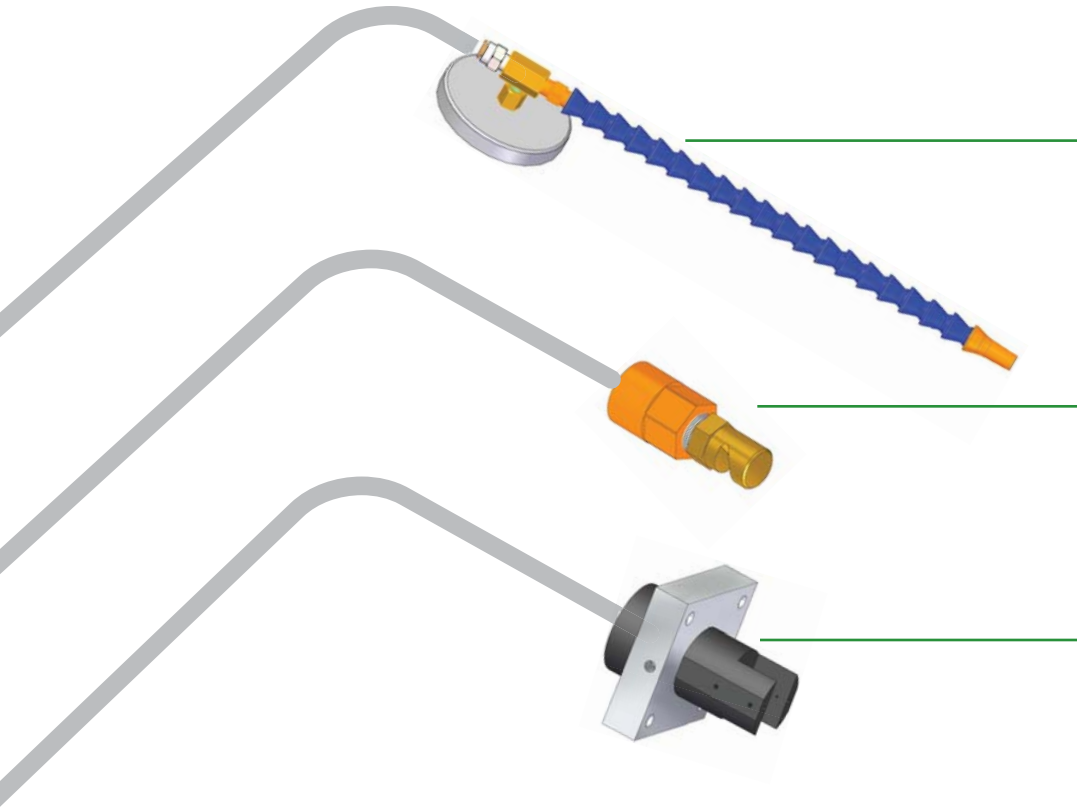
Coaxial Tubing

Tube within a tube. Inner tube transports lubricant to the Nozzle Tip while the outer tube transports air to the Nozzle Tip. Once the lubricant exits the nozzle tip it is carried to the work area by the air being exhausted out the Nozzle Tip.



activates the Lubricant Ejectors by pushing a Piston forward, displacing a preset volume of lubricant past a Check Valve and into the inner tube of the Coaxial Tubing. The lubricant moves to the Nozzle tip in measured volumes. When the inner tube is full, on the next pulse, it ejects one measured drop of lubricant into the air stream being expelled out of the outer tube of the Coaxial Tubing. The Air and

lubricant are carried to the work area. In between pulses the MeterMizers piston returns to the rest position. The check valve is closed preventing lubricant from returning to the Piston Chamber from the Coaxial Tubing. Lubricant from the Reservoir refills the Lubricant Chamber and is ready for the next pulse from the Oscillating Timer. This process is repeated with each pulse.



**MM-3000
FlexTube Nozzle Assembly**
A 12" flexible hose with a round Nozzle. Allows the Nozzle to be positioned in any direction for accurate results.

**MM-3002
Fan Spray Nozzle**
Nozzle delivers a fan spray for wider areas. Ideal for stamping applications.

**MM-3005
Saw Blade Nozzle**
Encapsulates the cutting edge of a cold saw, band saw or diamond blade in a cooling lubricant for long life.

MeterMizer Ejector

(Fig 1.)

Air Inlet

Oscillating Timer or Solenoid Valve directs air through the Manifold to the Ejector and sends the Piston forward displacing lubricant out the Nozzle

Volume Knob

Controls the volume of lubricant dispensed with each actuation.

Piston

When air activates the piston it will displace any lubricant in front of its ram and dispense an equal amount out of the Nozzle.

Piston Spring

When the Oscillating Timer or Solenoid Valve shuts off, the Spring returns the Piston to the rest position allowing lubricant to fill the lubricant chamber for its next cycle.

O-rings

Seals all of the inlets between the Manifold and the Ejectors.

Lubricant Inlet

Lubricant flows from the Manifold to the Ejectors when they are ready to be refilled.

Air Inlet

Air enters the Inlet Port and exits the Nozzle while carrying lubricant to the work area.

Air Control Valve

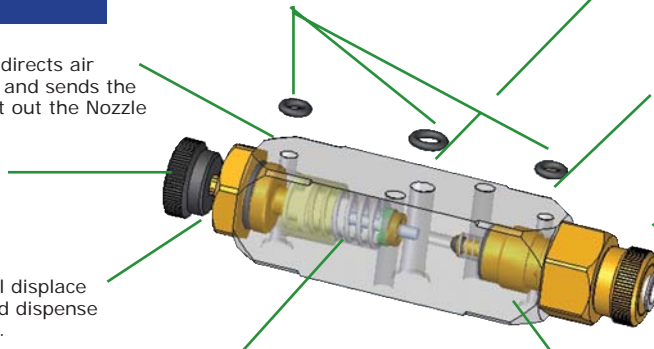
Shuts off or regulates the volume of air being exhausted out of the Nozzle

Outlet Fitting

Accepts Coaxial Tubing with Push-Pull fitting

Outlet Check Valve

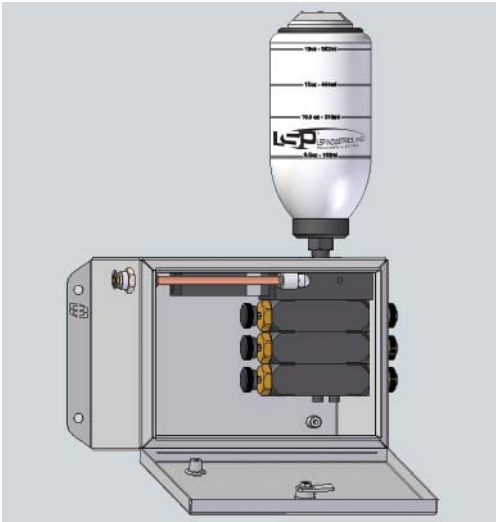
Spring loaded ball is opened by the lubricant on its way to the Nozzle. When the piston returns the ball reseats, preventing lubricant from returning to the lubricant chamber



MeterMizer-XL Systems

using the MeterMizer-SA inserted in Security Enclosures

- Available with Oscillating Timers or Solenoid Valves.
- Includes: Manifold, Ejectors, Reservoir, Manual On/Off Valve and Nozzle with Magnetic Base and 10' Coaxial Tubing for each Ejector.
- (Magnets to hold the box in place are ordered separately.)



MM-2060-XL
Includes all of the
above and one
Ejector.



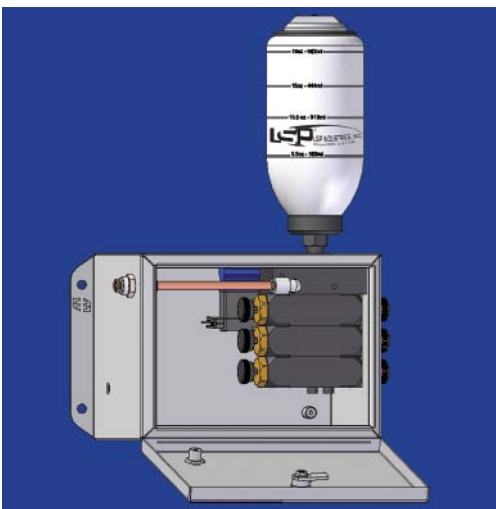
MM-2061-XL
Includes all of the
above and two
Ejectors.



MM-2062-XL
Includes all of the
above and three
Ejectors.

MM-206X-XL MeterMizer -XL w/MeterMizer-SA Systems and Oscillating Timer

Every ejector on every MeterMizer unit includes a twelve inch FlexTube on a Magnetic Base, standard nozzle assembly and 10 feet of coaxial tubing.



MM-2065-XL
Includes all of the
above and three
Ejectors.



MM-2066-XL
Includes all of the
above and three
Ejectors.



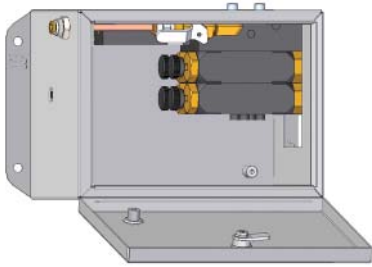
MM-2067-XL
Includes all of the
above and three
Ejectors.

MM-206X-XL MeterMizer -XL w/MeterMizer-SA Systems and Solenoid Valve

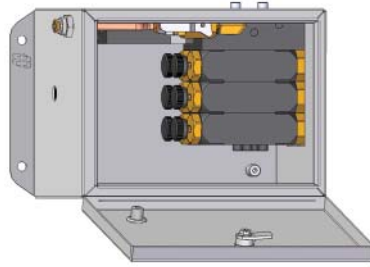
MeterMizer-XL Systems

using the MeterMizer-BG inserted in Security Enclosures

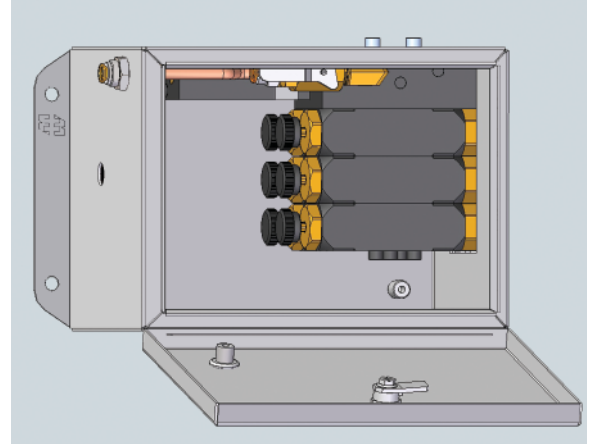
- Available with Oscillating Timers or Solenoid Valves.
- Includes: Manifold, Ejectors, Manual On/Off Valve and Nozzle with Magnetic Base and 10' Coaxial Tubing for each Ejector.
- (*Magnets to hold the box in place are ordered separately.*)



MM-2070-XL
Includes all of the above and three Ejectors.

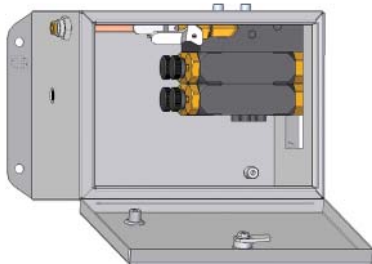


MM-2072-XL
Includes all of the above and two Ejectors.

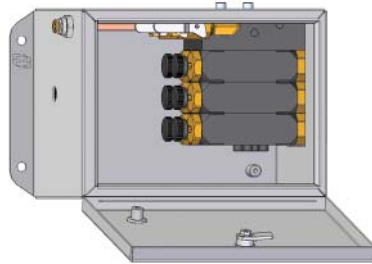


MM-207X MeterMizer -XL w/MeterMizer-BG Systems and Oscillating Timer

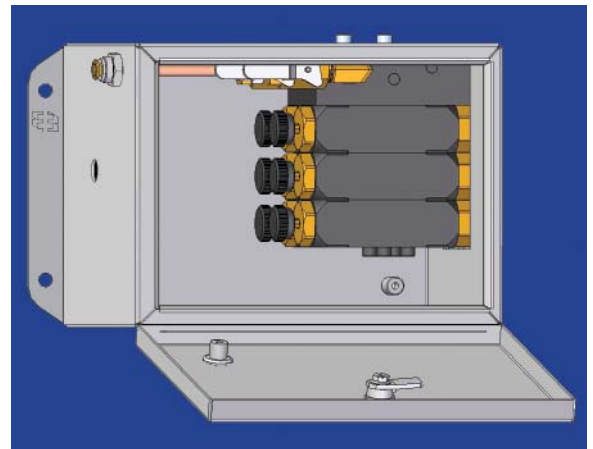
Every ejector on every MeterMizer unit includes a twelve inch FlexTube on a Magnetic Base, standard nozzle assembly and 10 feet of coaxial tubing.



MM-2075-XL
Includes all of the above and three Ejectors.



MM-2077-XL
Includes all of the above and two Ejectors.



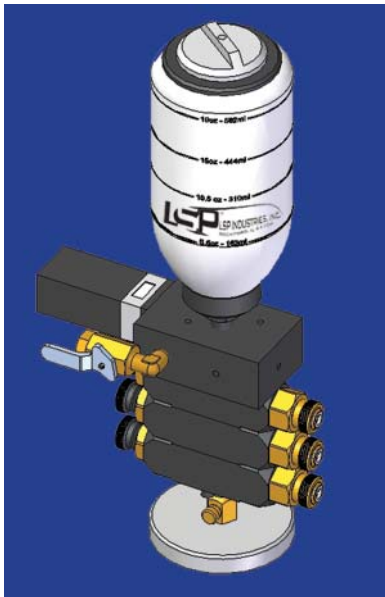
MM-208X MeterMizer -XL w/MeterMizer-BG Systems and Solenoid Valve

MeterMizer-SA Systems

Stand Alone System with Reservoir

MM-200X MeterMizer-SA Series

Includes an Oscillating Timer, Manifold, Magnetic Base, Ejectors, 19 oz. Reservoir, Manual ON/Off Valve, Nozzle, Magnet and 10' Coaxial Tubing.



MM-2001
Includes all of the above
plus One Ejector

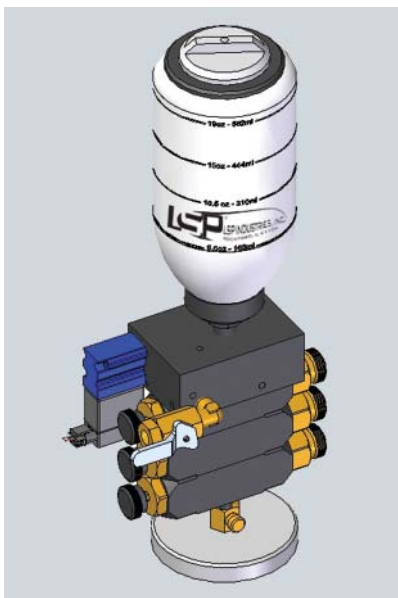


MM-2002
Includes all of the above
plus Two Ejectors



MM-2003
Includes all of the above
plus Three Ejectors

Every ejector on every MeterMizer unit includes a twelve inch FlexTube on a Magnetic Base, standard nozzle assembly and 10 feet of coaxial tubing.



MM-2011
Includes all of the above
plus one Ejector



MM-2012
Includes all of the
above plus two Ejectors



MM-2013
Includes all of the
above plus three Ejectors

MM-201X MeterMizers-SA Series

Includes: a Solenoid Valve, Manifold, Magnetic Base, Ejectors, 19 oz. Reservoir, Manual On/Off Valve, Nozzle, Magnet and 10' Coaxial Tubing.

MeterMizer-SA Systems

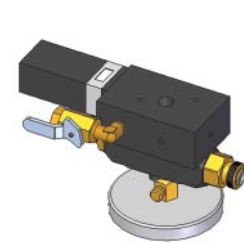
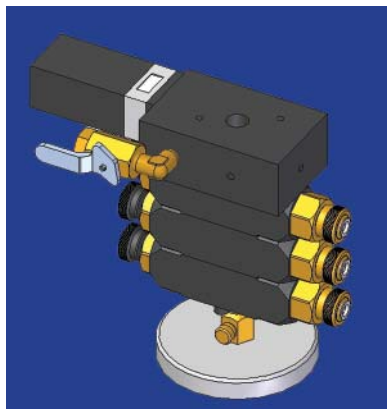
Stand Alone System without Reservoir

MM-202X MeterMizers - SA with Oscillating Timer Less Reservoir

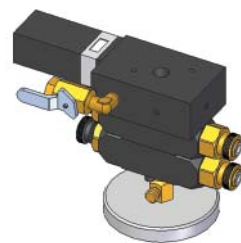
Includes: Manifold, Magnetic Base, Ejectors, Manual ON/Off Valve, Nozzle, Magnet, and 10' Coaxial Tubing.



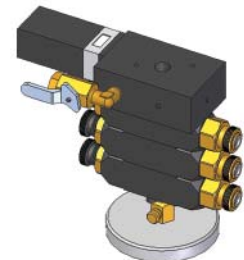
Applications requiring larger volumes of lubricant will be better served with a larger Reservoir. These reservoirs are usually remote from the MeterMizer and attached with five feet of plastic tubing. Reference Page 13 for Reservoir information.



MM-2021
Includes all of the above and one Ejector

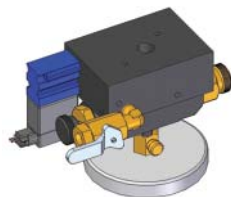
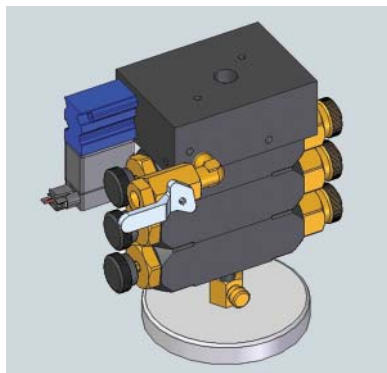


MM-2022
Includes all of the above and Two Ejectors

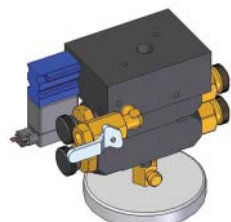


MM-2023
Includes all of the above and Three Ejectors

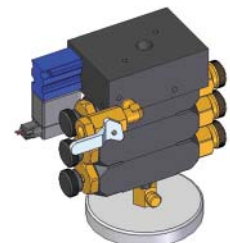
Every ejector on every MeterMizer unit includes a twelve inch FlexTube on a Magnetic Base, standard nozzle assembly and 10 feet of coaxial tubing.



MM-2031
Includes all of the above and one Ejector



MM-2032
Includes all of the above and two Ejectors



MM-2033
Includes all of the above and three Ejectors

MM-203X MeterMizers - SA with Solenoid Valve Less Reservoir

Includes: Manifold, Magnetic Base, Ejectors, Manual ON/Off Valve, Nozzle, Magnet, and 10' Coaxial Tubing.

MeterMizer-SC for Single Cycles

The MeterMizer-SC for single cycles is designed to deliver lubricant and air together in quick short actuations upon command. A single Solenoid Valve is used to dispense air from the Nozzle Tip and actuate the Ejector at the same time to dispense a predetermined amount of lubricant into the air stream. As soon as the Solenoid Valve is shut off the air will stop the system is ready for its next cycle.

This system is perfect for stamping, assembly, chain lubrication and other applications.

MM-204X MeterMizer-SC Series with Reservoir

Includes: a Solenoid Valve, Manifold, Magnetic Base, Ejectors, 19 oz. Reservoir, Manual On/Off Valve, Nozzle, Magnet and 10' Coaxial Tubing.



MM-2040
Includes all of the above plus One Ejector

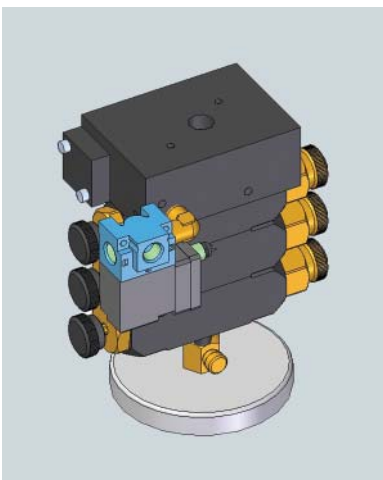


MM-2041
Includes all of the above plus Two Ejectors

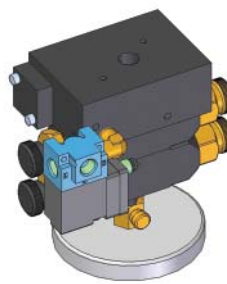


MM-2042
Includes all of the above plus Three Ejectors

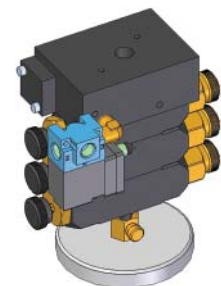
Every ejector on every MeterMizer unit includes a twelve inch FlexTube on a Magnetic Base, standard nozzle assembly and 10 feet of coaxial tubing.



MM-2045
Includes all of the above and one Ejector



MM-2046
Includes all of the above and two Ejectors



MM-2047
Includes all of the above and three Ejectors

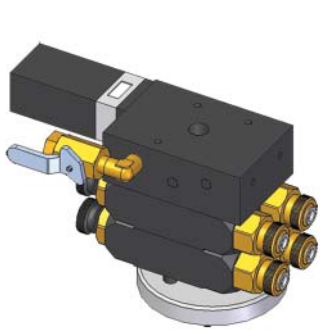
MM-204X MeterMizer-SC Series with Reservoir

Includes: a Solenoid Valve, Manifold, Magnetic Base, Ejectors, Manual ON/Off Valve, Nozzle, Magnet and 10' Coaxial Tubing.

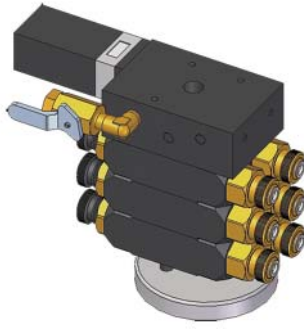
MeterMizer-BG Systems

The MeterMizer-BG is designed to handle additional Ejectors for the larger jobs where more nozzles are needed to complete the application. Large Reservoirs for the larger applications. Install REMOTE from the MeterMizer. Comes with 5 feet of tubing to connect between Reservoir and MeterMizer. Smaller Reservoirs, for the applications where Ejectors are not actuated as frequently, such as tapping or chain lubrication, attach DIRECTLY to the MeterMizer.

MM-205X MeterMizer - BG Four Ejectors or More

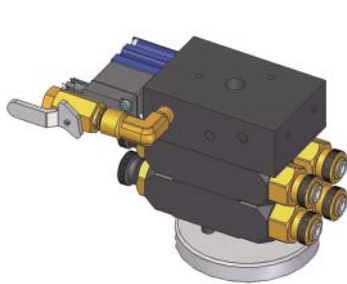


MM-2050
4 Ejector System

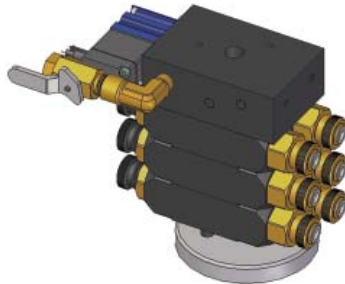


MM-2052
6 Ejector System

Includes:
One Oscillating Timer, Manual On/Off Valve,
One Nozzle, FlexTube, Magnetic Base and
10' of Coaxial Tubing per Ejector.
Reservoir and operating actuators are not included and must be ordered separately.

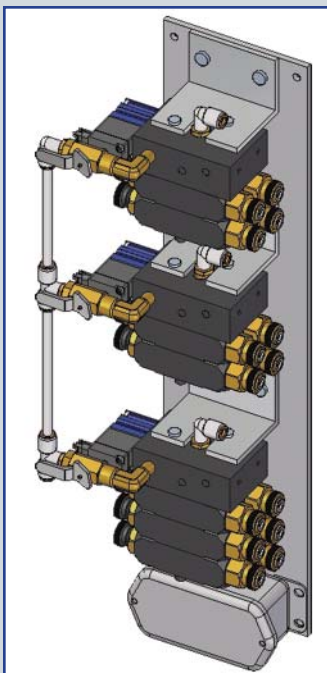


MM-2055
4 Ejector System



MM-2057
6 Ejector System

Includes:
One Solenoid Valve Manual On/Off Valve,
One Nozzle, FlexTube, Magnetic Base and
10' of Coaxial Tubing per Ejector.
Reservoir and operating actuators are not included and must be ordered separately.



Custom Assembled Systems

With Solenoid Valve Custom Assembled MeterMizers SA or BG assemblies mounted on special brackets. All plumbing and wiring in place and integrated for single line connections.

Specify:

- MeterMizer Systems to be mounted on Brackets
- Nozzle specifications.
- Manual On/Off Valves or Solenoid Valve for air in port.
- Permanent Screw type installation or Magnetic Base installation.
- Other accessories available upon request.

Nozzles and Accessories

A variety of Nozzles and Accessories are available for the many applications where the MeterMizer is used.



MM-3000
Twelve inch FlexTube on a Magnetic Base.
Standard Nozzle Assembly supplied with the MeterMizer System.



MM-3002
Twelve inch FlexTube with Nozzle.
Adaptor on the end designed to accept the P-926 LSP Swivel Bracket which attaches to either the MagnaBase or the fixture for permanently mounting to a surface.

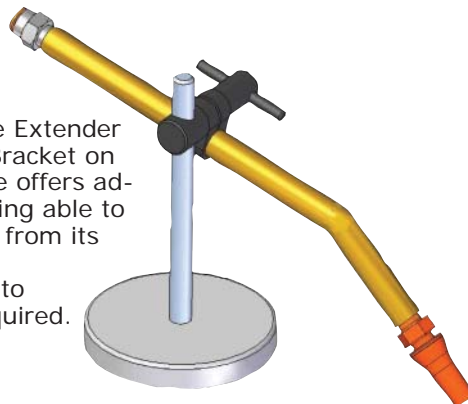
P-925
A six inch Post with a Swivel Bracket Attached to a Mounting Plate. The Mounting Plate is permanently affixed to a vertical or horizontal surface. Can reposition Nozzle up and down and a full 360o for total coverage. Use whenever nozzle is going to be in a localized area but needs to be re-aimed periodically.



MM-3010
Fan Nozzle
Designed to deliver a Fan Spray Pattern to the work area on each actuation of the MeterMizer.



P-3005
Rotating Nozzle on Nozzle Extender
Comes as an assembled unit. Twelve inch Nozzle Extender attached to the Swivel Bracket on a Magnetic Base. Nozzle offers additional versatility by being able to rotate an additional 30o from its fixed position. Other Nozzles can be adapted to the Swivel Bracket if required.



MM-3015
Saw Blade Nozzle
Nozzle is slotted to surround the cutting edge of a saw blade. Delivers lubricant to the front and the sides of the saw blade as it passes through the nozzle. Mounting plate is ideal for Circular saws. Allows flexible positioning of the Nozzle to its perfect position.



MM-9019
A six inch Post Attached to a Magnet with a Swivel Bracket Adapts to all of the Nozzles and offers portability plus ease of redirecting the Nozzle in any position necessary.



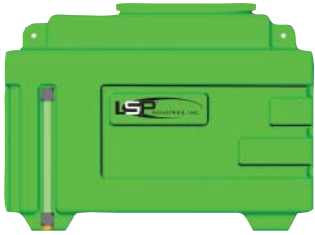
MM-9110
Inner Lubricant Transport Tubing
Tubing used to carry the Lubricant to the Nozzle.



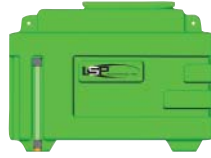
M-900
Outer Air Transport Tubing
Tubing that carries the air to the Nozzle.

Reservoirs

Reservoirs are available for use on any size system and may be substituted for standard Reservoirs supplied with The MeterMizer. Reservoirs can be attached either directly or remote from the MeterMizer



P-315
5 Gallon Reservoir with Filter Bag, Sight Glass and 5' of Supply Tubing to the MeterMizer.



P-312
1-1/2 Gallon Reservoir with Filter Bag, Sight Glass and 5' of Supply Tubing to the MeterMizer.

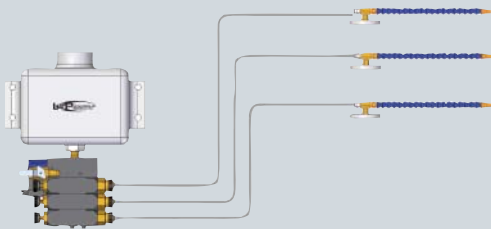


MM-3305
1/2 Gallon Reservoir See Through with Filter Bag, and 5' of Supply Tubing to the MeterMizer.

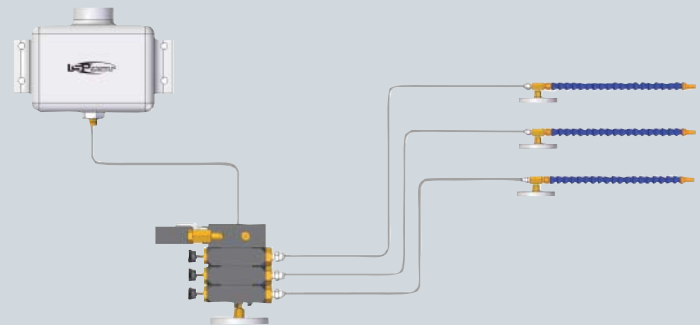
The P-315 and the P-312 are permanently attached to a surface when used. The MM-3305 can be permanently attached to a surface or can be mounted to a vertical surface with two MM-905 Magnets.



Larger reservoirs can be attached remote or direct to the MeterMizer



Attached Reservoir



Remote Reservoir



Reservoir supplied as a permanent attachment to the MeterMizer

P-3319
See Through 19 oz. Reservoir with Full Mesh Filter. Large cap allows for easy filling. Attaches direct the top of the MeterMizer. Not too small so that it always needs refilling and not too big that it is difficult to transport.

LSP Electronic Controllers

LSP Electronic Controllers can replace the Oscillating Timer. Whenever a part moves past the sensor the Controller receives a signal and then goes through a programmed sequence dispensing lubricant and air.



E-300 Electronic Controller

Activate every cycle, multiple actuations per cycle or count cycles up to 99.

E-300-2 Electronic Controller

Same as the E-300 but with two programmable outlets.

E-305 Electronic Pulsator

Give multiple actions per cycle or give a two count, (actuation every other cycle).

E-305-2 Electronic Pulsator

Same as the E-305 but with two programmable outlets.

E-310 Electronic Counter

Set to activate from a count of one to 99 cycles.

E-310-2 Electronic Counter

Same as the E-310 but with two programmable outlets.

E-315 Electronic Timer

Sets a repetitive cycle lasting up to 99 hours before having to be reset.

E-315-2 Electronic Timer

Same as the E-315 but with two programmable outlets.



MM-9024 Manual Valve

Open the valve and the Oscillating Timer starts operating. Shut the valve and the air shuts off and the Oscillating Timer goes to rest.



Top View



Side View



E-230 24 V Solenoid Valve P-912 110 V Solenoid Valve

Use with switch of users choice.

When used with the Oscillating Timer Solenoid Valve, used in place of the manual valve. Ties into the machine and when machine starts the solenoid opens and remains open until machine shuts down. While open it keeps the Oscillating timer operating, pulsing lubricant into the air stream until shut down.

When used in place of the Oscillating Timer, it will pulse lubricant into the air stream every time it receives a signal from a LSP Controller or a PLC.

MM-9000 Oscillating Air Timer

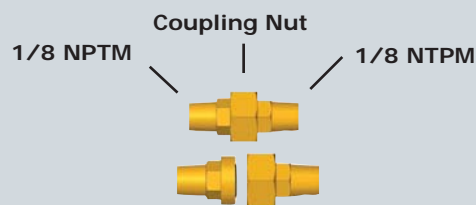
Sends repetitive actuations to the MeterMizer. Actuates from once every twenty seconds up to three times per second.

Accessories



AIR REGULATORS

MM-9030 Regulates air up to 80 PSI. An additional source of air regulation for air exhausting out of the nozzle plus regulates the air pressure controlling the piston.



V-911 Mounting Union

1-1/8NPTM X 1-1/8 NPTM

Used for mounting MeterMizer to a vertical surface. Allows installation and removal of unit without twisting upside down. The unit can be disassembled without emptying the Reservoir.



Level Control

User to supply adaptor to signal a light, bell or interconnect with machine.

E-150 for 1.5 Gal. Reservoirs

E-152 for 5 Gal Reservoirs

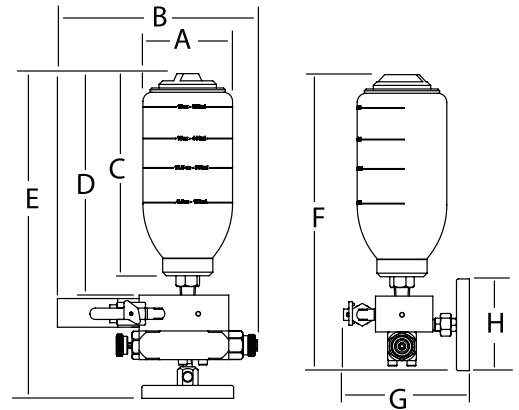
MeterMizer Dimensions

MeterMizer-SA with Reservoir With Oscillating Timer

Part #	A	B	C	D	E	F	G	H
MM-2001	3.125	7.00	6.55	7.25	10.80	9.70	4.50	3.20
MM-2002	3.125	7.00	6.55	7.25	11.80	10.70	4.50	3.20
MM-2003	3.125	7.00	6.55	7.25	12.80	11.70	4.50	3.20

With Solenoid Valve

MM-2011	3.125	5.35	6.55	7.25	10.80	9.70	4.75	3.20
MM-2012	3.125	5.35	6.55	7.25	11.80	10.70	4.75	3.20
MM-2013	3.125	5.35	6.55	7.25	12.80	11.70	4.75	3.20

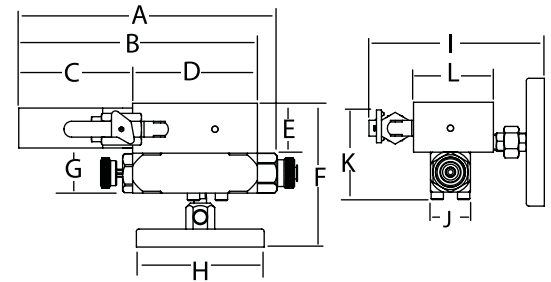


MeterMizer-SA without Reservoir With Oscillating Timer

Part #	A	B	C	D	E	F	G	H	I	J	K	L
MM-2021	6.900	6.00	2.85	3.125	1.25	3.60	1.00	3.20	4.40	1.00	2.250	2.250
MM-2022	6.900	6.00	2.85	3.125	1.25	4.60	1.00	3.20	4.40	1.00	3.250	2.250
MM-2023	6.900	6.00	2.85	3.125	1.25	5.60	1.00	3.20	4.40	1.00	4.250	2.250

With Solenoid Valve

MM-2031	5.25	4.35	1.20	3.125	1.25	3.60	1.00	3.20	4.40	1.00	2.250	2.250
MM-2032	5.25	4.35	1.20	3.125	1.25	4.60	1.00	3.20	4.40	1.00	3.250	2.250
MM-2032	5.25	4.35	1.20	3.125	1.25	5.60	1.00	3.20	4.40	1.00	4.250	2.250

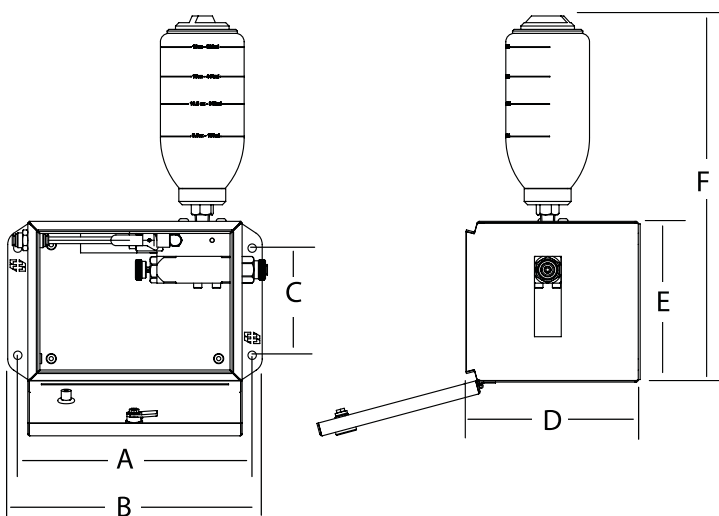
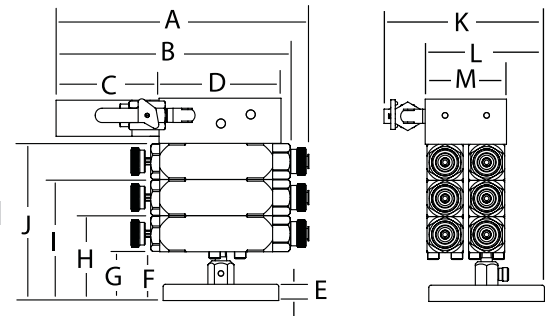


MeterMizer-BG With Oscillating Timer

Part #	A	B	C	D	E	F	G	H	I	J	K	L
MM-2040	7.00	6.50	2.85	3.375	.338	1.285	2.275	0.000	3.275	4.525	4.44	3.39
MM-2042	7.00	6.50	2.85	3.375	.338	1.285	0.000	3.275	4.275	5.525	4.44	3.39

With Solenoid Valve

MM-2031	6.50	6.25	2.60	3.375	.338	1.285	2.275	0.000	3.275	4.525	4.44	3.39
MM-2032	6.50	6.50	2.85	3.375	.338	1.285	0.000	3.275	4.275	5.525	4.44	3.39



MeterMizer-XL

With Oscillating Timer or Solenoid Valve

Part #	A	B	C	D	E	F
MM-2061	8.75	9.50	4.00	6.50	6.00	13.25
MM-2062	8.75	9.50	4.00	6.50	6.00	13.25
MM-2063	8.75	9.50	4.00	6.50	6.00	13.25

MeterMizer-Reservoir

MM-3305 2 Quart Reservoir

Part #	A	B	C	D	E	F	G	H
M-3305	8.75	7.75	6.75	2.25	1.875	3.00	4.50	4.75

MeterMizer Reservoir

P-312 1-1/2 Gallon Reservoir & P-315 5 Gallon Reservoir

Part #	A	B	C	D	E	F
P-312	12.00	10.50	6.00	4.125	2.875	8.50
P-315	17.50	14.00	7.50	6.50	3.50	14.50

MeterLube

MeterLube is a family of environmentally safe lubricants recommended for use in the MeterMizer. MeterLube products are formulated from natural environmentally safe resources. They are safe because they are a renewable resource and a natural part of the environment. They have a useful life and then are readily biodegradable in a safe and beneficial manner. The MeterLube is not only safe to the environment it is also safe for the employees. It is economical to use, leaves a good finish on the work piece, extends the tool life and is easy to remove.

There are several MeterLube products available. Each having features that are unique to specific applications. Find the right one for your application.



MeterLube A-413-A

Lubricants that are safe on all metals.

MeterLube A-413-A

A non-smoking lubricant, formulated for jobs that generate a lot of heat. The heaviest duty, medium viscosity lubricant. It has clinging ability and a high lubricity factor that makes it the first choice for the tough jobs.

Color	Viscosity	Flash Point
Yellow	80 SUS @100°F	>400 oF



MeterLube A-193-A

MeterLube A-193-A

Economical to use. A medium to heavy duty lubricant. Capable of doing most of the heavy duty jobs while providing good flow and shedding. This product can oxidize over time so finished parts that are to be stored should be washed to avoid leaving a tacky residue.

Color	Viscosity	Flash Point
Yellow	170 SUS @100°F	>400 oF (COC)



MeterLube A-260-B

MeterLube A-260-B

The premium ashless lubricant. Medium duty, low viscosity high purity lubricant. Will not oxidize and burns off clean in heat treating. A good, all around medium duty lubricant that spreads and sheds easier than most.

Color	Viscosity	Flash Point
Yellow	40 SUS @100°F	>300 oF



MeterLube 6737

MeterLube 6737

Most economical low viscosity ashless lubricant. Use when a heat treating follows the forming application. Gives a total burn-off and an ashless residue. Provides good flow and shedding.

Color	Viscosity	Flash Point
Clear / Pale Yellow	40 SUS @100°F	>300 oF



Lamson Oil Company
a Wholly Owned Subsidiary of:



2511 - 20th Street
Rockford, IL 61104
Tel: 815-226-8090
Fax: 815-226-9250
E-mail: sales@lspind.com